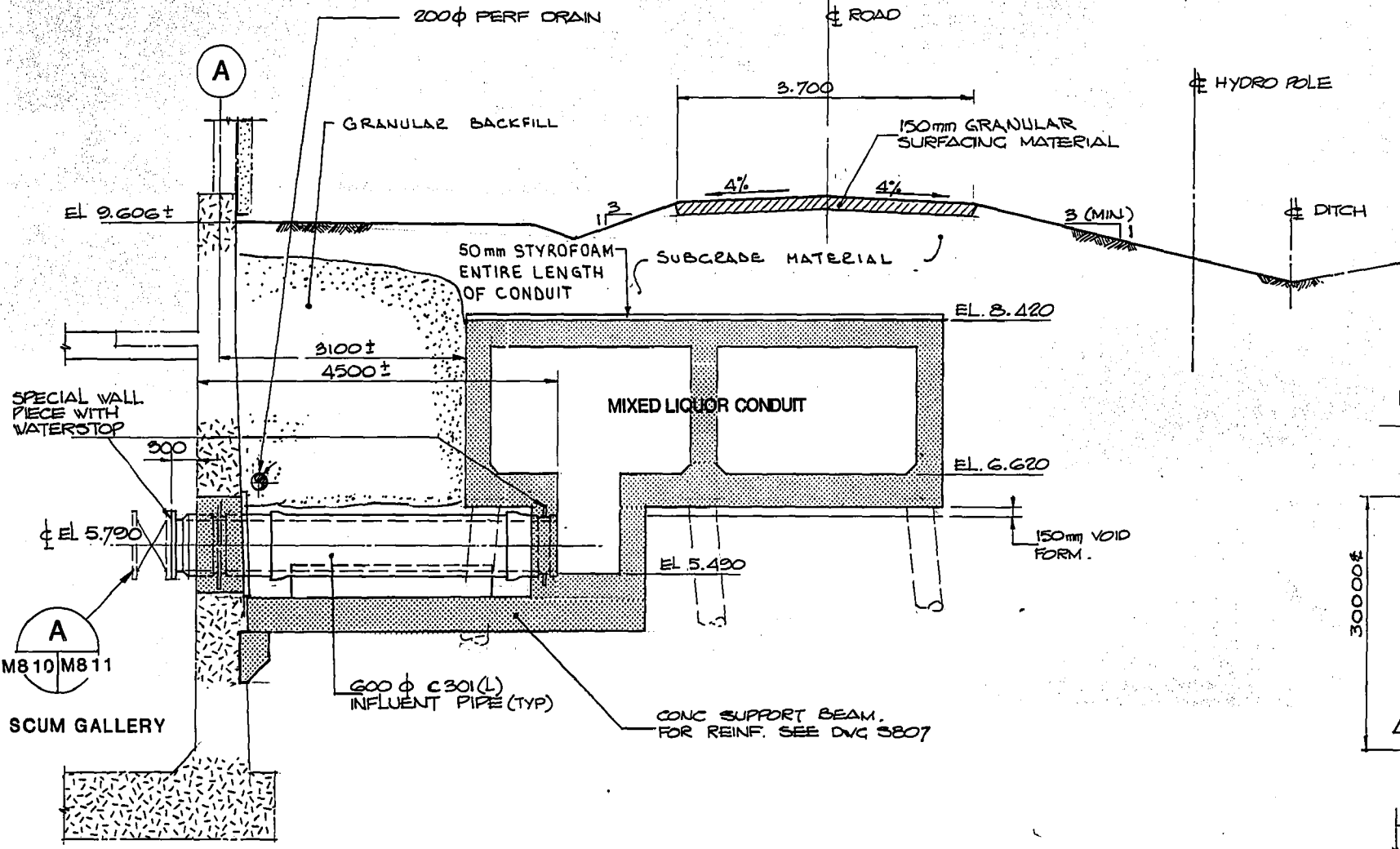
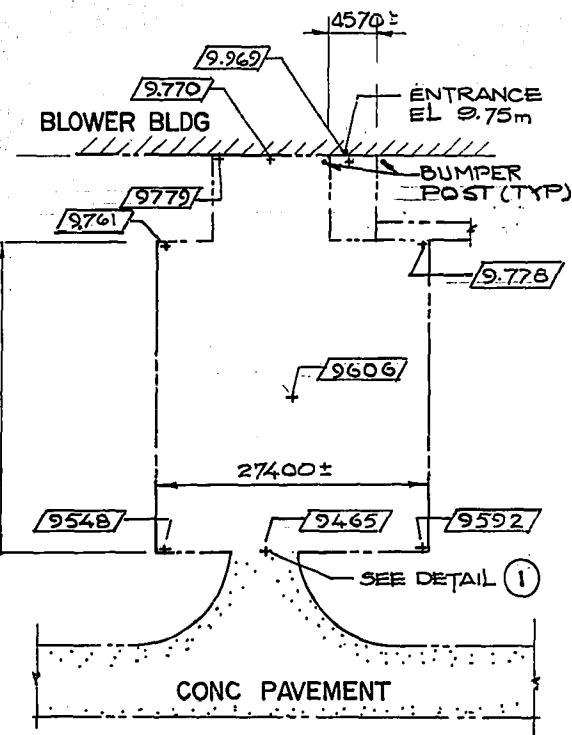


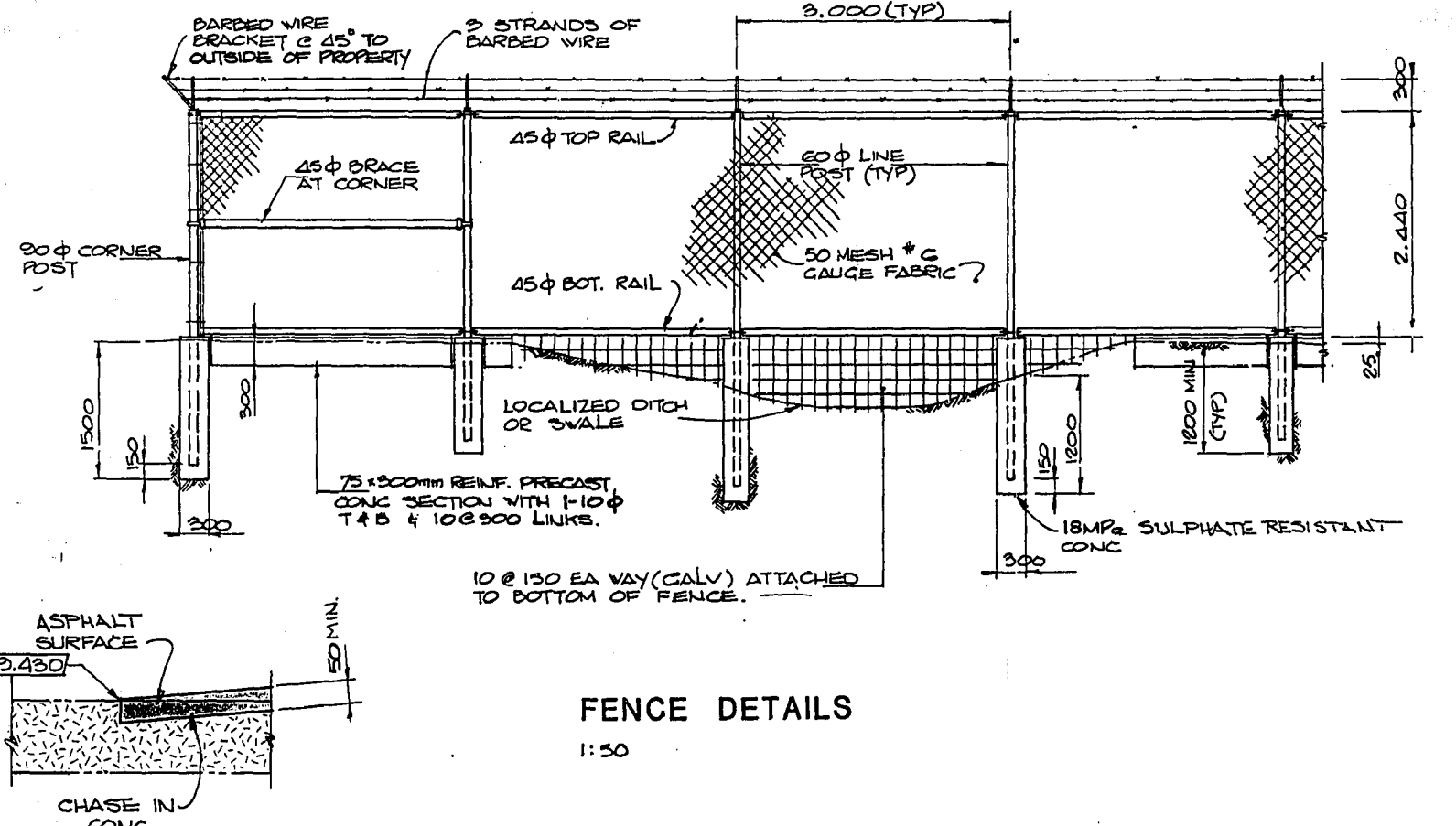
PART SITE PLAN  
1:500



SECTION A  
1:50



PARKING LOT  
1:500

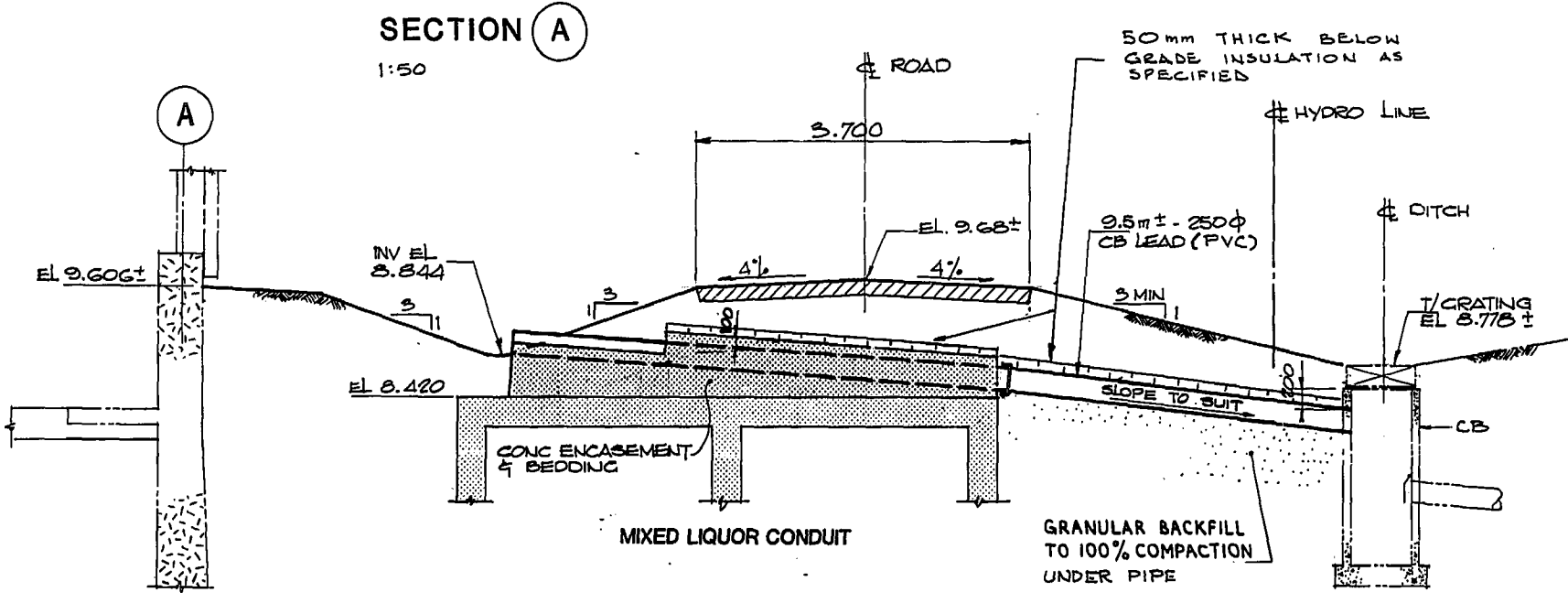


FENCE DETAILS  
1:50

- LEGEND**
- SPOT ELEVATION
  - SPOT ELEVATION
  - ROAD
  - MIXED LIQUOR CONDUIT
  - CONCRETE
  - CONCRETE
  - FAN HOUSE LOCATION

**METRIC**

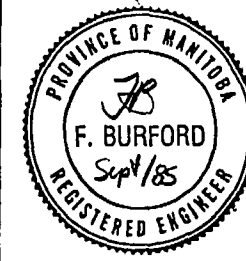
W.HOLE NUMBERS INDICATE MILLIMETRES  
DIMENSIONALIZED NUMBERS INDICATE METRES



SECTION B  
1:50

AS-BUILT		
DATE	FB. NO.	PAGE
MAY 88		

NO.	REVISIONS	DATE	APP.
2	AS CONSTRUCTED	MAY 88	FB
1	ISSUED FOR TENDER	SEPT/85	GJM
0	ISSUE FOR CLIENT REVIEW	FEB/85	F.B.



W.L. WARDROP & ASSOCIATES LTD.  
MacLAREN ENGINEERS INC.

DESIGNED BY: SAS  
DRAWN BY: SAS

CHECKED BY: VM  
DATE: SEPT 1985

APPROVED BY: *[Signature]*  
DATE: Sept/85

**THE CITY OF WINNIPEG**  
WORKS & OPERATIONS DIVISION  
WATERWORKS, WASTE & DISPOSAL DEPARTMENT

**NORTH END WATER POLLUTION CONTROL CENTRE  
SECONDARY TREATMENT EXPANSION  
SECONDARY CLARIFIERS-GENERAL  
PART SITE PLAN & DETAILS**

RELEASED FOR CONSTRUCTION DATE: 1985 09 12

SCALE: AS SHOWN DRAWING NO: NEP 1369